

SR630

ROUGH TERRAIN TELEHANDLER



- Full-time 4 wheel drive
- Fully enclosed cab
- Power assisted steering
- Proportional joystick
- Simple to operate & maintain

 **snorkel**[™]
www.snorkellifts.com

ROUGH TERRAIN TELEHANDLER

SR630

CAPABILITIES SR630

Max. lift capacity	6,000 lbs
Max. lift height (A)	30 ft 7 in
Max. forward reach	18 ft 5 in

DIMENSIONS

Overall width (B)	6 ft 6 in
Stowed height (C)	6 ft 11.5 in
Length to fork face (D)*	16 ft 3 in
Wheelbase	9 ft 8 in
Ground clearance	14 in

PERFORMANCE

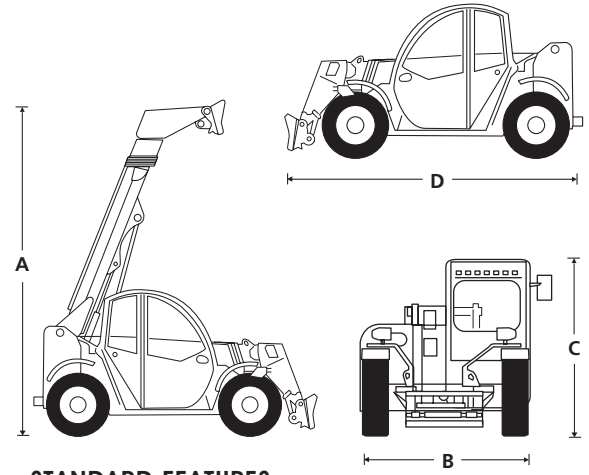
Max. drive speed	15 mph
Raise/lower time	10/10 sec
Frame leveling	6°
Hydraulic flow (per minute)	26 gallons
Hydraulic pressure	3,500 psi
Hydraulic oil capacity	50 gallons
Fuel capacity	26 gallons
Turning radius	11 ft
Tires	12.5/80-18 Pneumatic

POWER

Power source	Deutz TD 2.9L 74hp Tier 4 Final
--------------	---------------------------------

WEIGHT

Weight	13,700 lbs
--------	------------



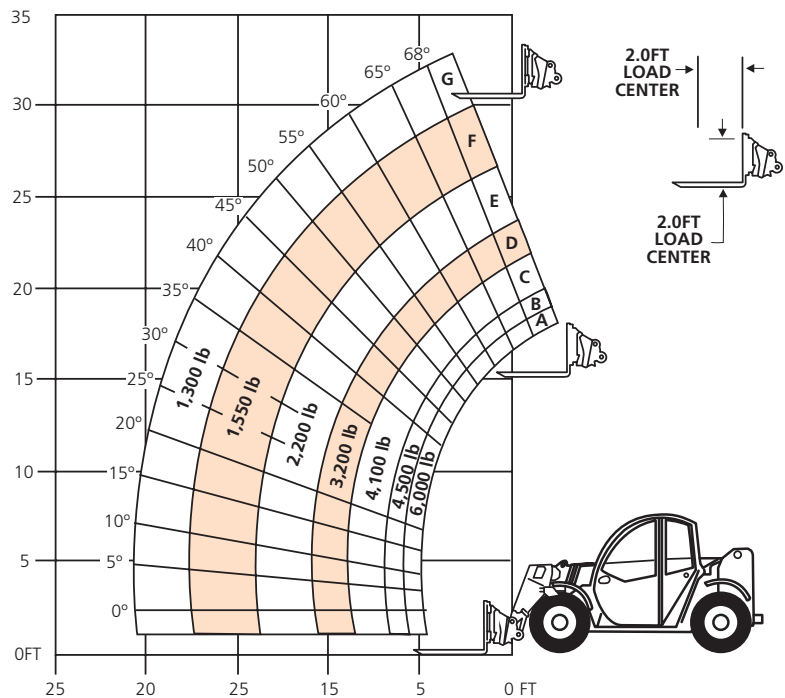
STANDARD FEATURES

- 360° operator visibility
- Large cross section boom with wear pads
- Easy service access
- Steel hydraulic & fuel tanks
- Plastic dash with display screen
- Hydrostatic 2 speed transmission
- Front and rear limited slip axles
- Plastic fenders
- Easy cab mounted grab handles
- Solid steel plate chassis
- Melonite pins
- Machine lift points
- 48" fixed carriage
- 48" pallet forks
- 2 year parts & labor, 5 year structural warranty
- ANSI compliant

OPTIONS

- Special paint colors
- Multiple options for carriages, tires and fork tines
- Flashing amber strobe
- Swivel hook
- Universal skidsteer attachment
- Back up cameras
- Work lights
- Cold weather package
- Hydraulic tank heater

LOAD CHART



ANSI Specification ©Snorkel 2020

Specifications subject to change without notice. Photos and diagrams in this brochure are for promotional purposes only. Refer to appropriate Snorkel operators manual for detailed instructions on the proper use and maintenance. *Length to fork face = length from carriage to counter weight.

www.snorkellifts.com
 P.O. Box 1160
 St. Joseph, MO 64502-1160, USA
 Tel: 1 (785) 989-3000
 Toll-free: 1 (800) 255-0317
 Fax: 1 (785) 989-3070
 Email: sales.usa@snorkellifts.com